

Technical Features

- Sensors for all supply voltages (DC, AC, universal current) and output signals (e.g. two, three, and four-wire, AS-Interface and NAMUR)
- Complete range of cable and connector types
- Variety of special approvals, including for explosion protection
- Especially robust sensors with stainless steel housing and chemically resistant housing materials available
- Sensing ranges from 1 mm to 50 mm available

Cylindrical Capacitive Proximity Sensors

Contents



12 mm Series
Page 121



18 mm Series
Page 122



30 mm Series
Page 123



12 mm Series

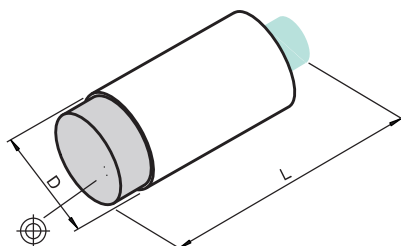


Standard Technical Data	
Switching function	Normally-open (NO)
Voltage type	DC
Housing diameter D	12 mm
CSA	■
UL	■

For detailed data and description, see the datasheet. Further products can be found online at www.pepperl-fuchs.com.

Model number	Type of installation	Detection range [mm]	Output type	Output type	Switching frequency [Hz]	UB (min)	UB (max)	Connection type	Cable length [mm]	Cable material	Length L	ATEX	FM
CBB4-12GH60-E0-V1	Flush	4	3-wire	NPN	50	10	36	M12 connector plug			60		
CBB4-12GH60-E2-V1	Flush	4	3-wire	PNP	50	10	36	M12 connector plug			60		
CBB4-12GH70-E0	Flush	4	3-wire	NPN	50	10	36	Fixed cable	2000	PUR	70		
CBB4-12GH70-E2	Flush	4	3-wire	PNP	50	10	36	Fixed cable	2000	PUR	70		
CBN8-12GH60-E2-V1	Non-flush	8	3-wire	PNP	50	10	36	M12 connector plug			61.2		
CJ1-12GK-N	Non-flush	1	2-wire	NAMUR	1	8.2	8.2	Fixed cable	2000	PVC	60	■	■
CJ1-12GK-N-5M	Non-flush	1	2-wire	NAMUR	1	8.2	8.2	Fixed cable	5000	PVC	60	■	■
CJ4-12GK-N	Non-flush	4	2-wire	NAMUR	1	8.2	8.2	Fixed cable	2000	PVC	60	■	■
CJ4-12GK-N-10M	Non-flush	4	2-wire	NAMUR	1	8.2	8.2	Fixed cable	10000	PVC	60	■	■
CJ4-12GK-N-5M	Non-flush	4	2-wire	NAMUR	1	8.2	8.2	Fixed cable	5000	PVC	60	■	■

Accessories	
BF 12	Mounting adapter, 12 mm
V1-G-2M-PUR	Single-ended female cordset, M12, 4-pin, PUR cable
V1-W-2M-PUR	Single-ended female cordset, M12, 4-pin, PUR cable





18 mm Series

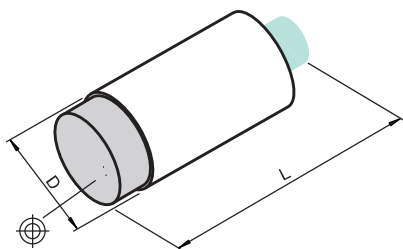


Standard Technical Data	
Switching function	Normally-open (NO)
Voltage type	DC
Housing diameter D	18 mm
UL	■

For detailed data and description, see the datasheet. Further products can be found online at www.pepperl-fuchs.com.

Model number	Type of installation	Detection range [mm]	Output type	Output type	Switching frequency [Hz]	UB (min)	UB (max)	Connection type	Cable length [mm]	Cable material	Ambient temperature (max)	Length L	ATEX	CSA	FIM
CBB8-18GK75-E2-V1	Flush	8	3-wire	PNP	100	10	30	M12 connector plug			85	88			
CBB8-18GS75-E0	Flush	8	3-wire	NPN	100	10	30	Fixed cable	2000	PUR	85	75			
CBB8-18GS75-E2	Flush	8	3-wire	PNP	100	10	30	Fixed cable	2000	PUR	85	75			
CBB8-18GS75-E2-V1	Flush	8	3-wire	PNP	100	10	30	M12 connector plug			85	88			
CBN15-18GK75-E2-V1	Non-flush	15	3-wire	PNP	100	10	30	M12 connector plug			85	88			
CBN15-18GS75-E2	Non-flush	15	3-wire	PNP	100	10	30	Fixed cable	2000	PUR	85	75			
CBN15-18GS75-E2-V1	Non-flush	15	3-wire	PNP	100	10	30	M12 connector plug			85	88			
CJ2-18GK-N	Non-flush	2	2-wire	NAMUR	1	8.2	8.2	Fixed cable	2000	PVC	70	80	■	■	■
CJ6-18GK-N	Non-flush	6	2-wire	NAMUR	1	8.2	8.2	Fixed cable	2000	PVC	70	80	■	■	■

Accessories	
BF 18	Mounting adapter, 18 mm
EXG-18	Quick-mounting bracket with fixed stop
V1-G-2M-PUR	Single-ended female cordset, M12, 4-pin, PUR cable
V1-W-2M-PUR	Single-ended female cordset, M12, 4-pin, PUR cable





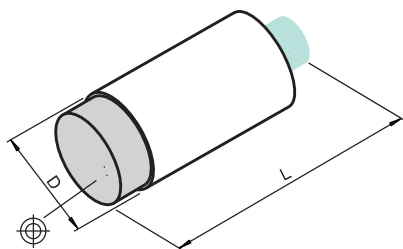
30 mm Series



Standard Technical Data	
Housing diameter D	30 mm

For detailed data and description, see the datasheet. Further products can be found online at www.pepperl-fuchs.com.

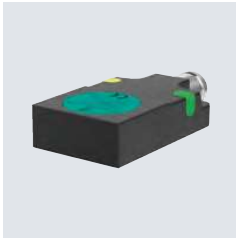
Model number	Type of installation	Detection range [mm]	Output type	Output type	Switching function	Voltage type	Switching frequency [Hz]	UB (min)	UB (max)	Connection type	Ambient temperature (min)	Length L	CCC	ATEX	UL
CBB10-30GKK-A2	Flush	10	4-wire	PNP	Complementary	DC	100	10	30	Terminal compartment	-25	115			■
CBB10-30GKK-W	Flush	10	2-wire	2-wire	Normally open/close selectable	AC	50	20	250	Terminal compartment	-25	115			
CBN15-30GK60-A0	Non-flush	15	4-wire	NPN	Complementary	DC	10	10	30	Fixed cable	-25	60			■
CBN15-30GK60-A2	Non-flush	15	4-wire	PNP	Complementary	DC	10	10	30	Fixed cable	-25	60			■
CBN15-30GK60-E0	Non-flush	15	3-wire	NPN	Normally-open (NO)	DC	10	10	30	Fixed cable	-25	60			■
CBN15-30GK60-E2	Non-flush	15	3-wire	PNP	Normally-open (NO)	DC	10	10	30	Fixed cable	-25	60			■
CBN15-30GK60-E2-5M	Non-flush	15	3-wire	PNP	Normally-open (NO)	DC	10	10	30	Fixed cable	-25	60			■
CCB10-30GS55-N1	Flush	10	2-wire	NAMUR	Normally-open (NO)	DC	50	8.2	8.2	Fixed cable	-20	80		■	■
CCB10-30GS55-N1-V1	Flush	10	2-wire	NAMUR	Normally-open (NO)	DC	50	8.2	8.2	M12 connector plug	-20	80		■	■
CCN15-30GS60-A0	Non-flush	15	4-wire	NPN	Complementary	DC	10	10	60	Fixed cable	-25	60	■		■
CCN15-30GS60-A2	Non-flush	15	4-wire	PNP	Complementary	DC	10	10	60	Fixed cable	-25	60	■		■
CCN15-30GS60-A2-V1	Non-flush	15	4-wire	PNP	Complementary	DC	10	10	60	M12 connector plug	-25	60	■		■
CCN15-30GS60-E0	Non-flush	15	3-wire	NPN	Normally-open (NO)	DC	10	10	60	Fixed cable	-25	60	■		■
CCN15-30GS60-E2	Non-flush	15	3-wire	PNP	Normally-open (NO)	DC	10	10	60	Fixed cable	-25	60	■		■
CCN15-30GS60-E2-V1	Non-flush	15	3-wire	PNP	Normally-open (NO)	DC	10	10	60	M12 connector plug	-25	60	■		■
CJ10-30GK-WO	Non-flush	10	2-wire	2-wire	Normally-closed (NC)	AC	10	20	253	Fixed cable	-25	80	■		■
CJ10-30GK-WS	Non-flush	10	2-wire	2-wire	Normally-open (NO)	AC	10	20	253	Fixed cable	-25	80	■		■
CJ10-30GM-WO	Non-flush	10	2-wire	2-wire	Normally-closed (NC)	AC	10	20	253	Fixed cable	-25	80	■		■
CJ10-30GM-WS	Non-flush	10	2-wire	2-wire	Normally-open (NO)	AC	10	20	253	Fixed cable	-25	80	■		■



Accessories	
BF 30	Mounting adapter, 30 mm
V1-G-2M-PUR	Single-ended female cordset, M12, 4-pin, PUR cable
V1-G-N4-5M-PUR	Single-ended female cordset, M12, 4-pin, NAMUR, PUR cable
V1-G-N4-5M-PVC	Single-ended female cordset, M12, 4-pin, NAMUR, PVC cable
V1-W-2M-PUR	Single-ended female cordset, M12, 4-pin, PUR cable
V1-W-N4-2M-PVC	Single-ended female cordset, M12, 4-pin, NAMUR, PVC cable
V1-W-N4-5M-PUR	Single-ended female cordset, M12, 4-pin, NAMUR, PUR cable
V1-W-N4-5M-PVC	Single-ended female cordset, M12, 4-pin, NAMUR, PVC cable

Cybic-Style Capacitive Proximity Sensors

Contents



F104 Series
Page 125



F46/F46A Series
Page 126



F64 Series
Page 127



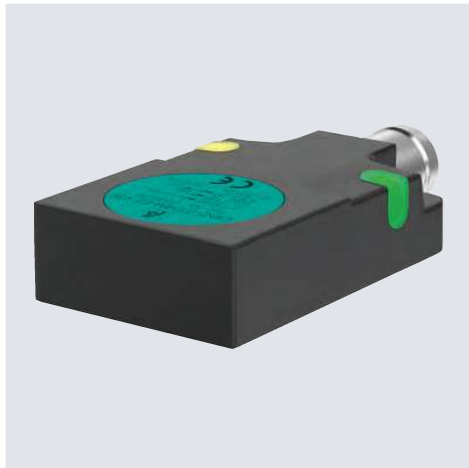
FP Series
Page 128



VariKont Series
Page 129



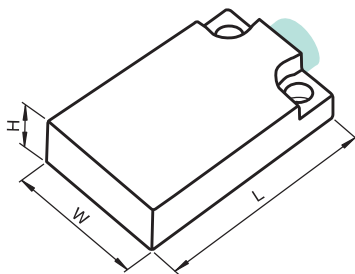
F104 Series



Standard Technical Data	
Type of installation	Non-flush
Detection range	5 mm
Output type	3-wire
Output type	PNP
Switching function	Normally-open (NO)
Voltage type	DC
Switching frequency	100 Hz
Operating voltage (min)	10 V
Operating voltage (max)	30 V
Housing length L	32 mm
Housing width W	20 mm
Housing height H	8 mm
UL	■

For detailed data and description, see the datasheet. Further products can be found online at www.pepperl-fuchs.com.

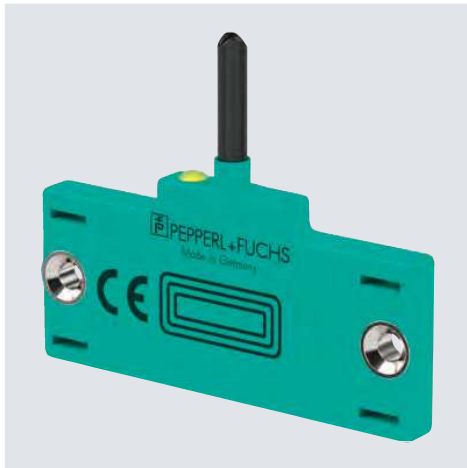
Model number	Connection type	Cable length [mm]	Cable material
CBN5-F104M-E2	Fixed cable	2000	PUR
CBN5-F104M-E2-V3R	8 mm connector plug		



Accessories	
V3-WR-2M-PUR	Single-ended female cordset, M8 snap-locking, 3-pin, PUR cable



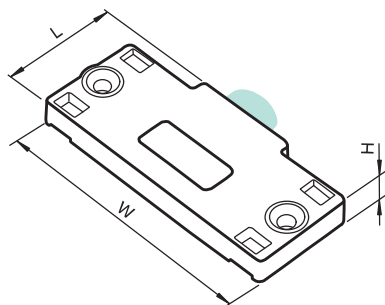
F46/F46A Series



Standard Technical Data	
Type of installation	Non-flush
Output type	3-wire
Voltage type	DC
Operating voltage (max)	30 V
Connection type	Fixed cable
Housing width W	50 mm

For detailed data and description, see the datasheet. Further products can be found online at www.pepperl-fuchs.com.

Model number	Detection range [mm]	Output type	Switching function	Switching frequency [Hz]	UB (min)	Cable length [mm]	Cable material	Ambient temperature (min)	Ambient temperature (max)	Length L	Height H	CSA	UL
CBN10-F46-E0	10	NPN	Normally-open (NO)	5	10	2000	PVC	-25	70	25	5	■	■
CBN10-F46-E2	10	PNP	Normally-open (NO)	5	10	2000	PVC	-25	70	25	5	■	■
CBN10-F46-E2-10M	10	PNP	Normally-open (NO)	5	10	10000	PVC	-25	70	25	5	■	■
CBN10-F46-E3	10	PNP	Normally-closed (NC)	5	10	2000	PVC	-25	70	25	5	■	■
CBN10-F46C-EI	7	Digital current output		5	9	2000	PUR	-40	85	30.4	10.5		
CBN2-F46-E0	2	NPN	Normally-open (NO)	10	10	2000	PVC	-25	70	25	5	■	■
CBN2-F46-E1	2	NPN	Normally-closed (NC)	10	10	2000	PVC	-25	70	25	5	■	■
CBN2-F46-E2	2	PNP	Normally-open (NO)	10	10	2000	PVC	-25	70	25	5	■	■
CBN2-F46-E3	2	PNP	Normally-closed (NC)	10	10	2000	PVC	-25	70	20	5	■	■
CBN5-F46-E0	5	NPN	Normally-open (NO)	10	10	2000	PVC	-25	70	25	5	■	■
CBN5-F46-E1	5	NPN	Normally-closed (NC)	10	10	2000	PVC	-25	70	25	5	■	■
CBN5-F46-E2	5	PNP	Normally-open (NO)	10	10	2000	PVC	-25	70	25	5	■	■
CBN5-F46-E3	5	PNP	Normally-closed (NC)	10	10	2000	PVC	-25	70	25	5	■	■
CCN5-F46A-E0	5	NPN	Normally-open (NO)	10	10	2000	FEP	-25	70	30.4	10.5	■	■
CCN5-F46A-E1	5	NPN	Normally-closed (NC)	10	10	2000	FEP	-25	70	30.4	10.5	■	■
CCN5-F46A-E2	5	PNP	Normally-open (NO)	10	10	2000	FEP	-25	70	30.4	10.5	■	■
CCN5-F46A-E3	5	PNP	Normally-closed (NC)	10	10	2000	FEP	-25	70	30.4	10.5	■	■





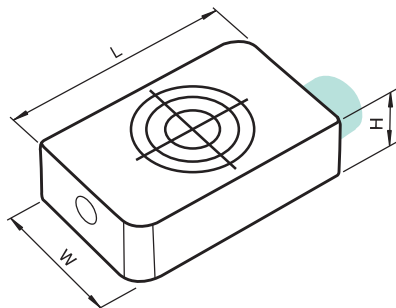
F64 Series



Standard Technical Data	
Special features	Magnetic field resistant
Type of installation	Non-flush
Detection range	15 mm
Output type	PNP
Voltage type	DC
Switching frequency	100 Hz
Operating voltage (min)	10 V
Operating voltage (max)	30 V
Connection type	Fixed cable
Cable Length	2000 mm
Cable material	PUR
Housing length L	40 mm
Housing width W	25 mm
Housing height H	12 mm
UL	■

For detailed data and description, see the datasheet. Further products can be found online at www.pepperl-fuchs.com.

Model number	Output type	Switching function
CBN15-F64-A2	4-wire	Complementary
CBN15-F64-E2	3-wire	Normally-open (NO)



Accessories	
MH-F64	Mounting base



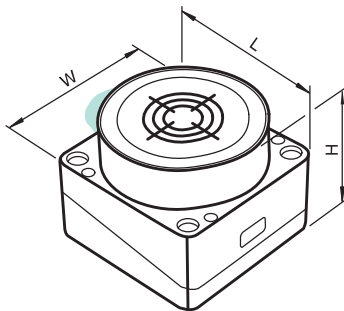
FP Series



Standard Technical Data	
Type of installation	Non-flush
Detection range	40 mm
Output type	4-wire
Switching function	Complementary
Voltage type	DC
Switching frequency	10 Hz
Operating voltage (min)	10 V
Operating voltage (max)	60 V
Connection type	Terminal compartment
Housing length L	40 mm
Housing width W	80 mm
Housing height H	80 mm
UL	■

For detailed data and description, see the datasheet. Further products can be found online at www.pepperl-fuchs.com.

Model number	Output type
CJ40-FP-A0-P1	NPN
CJ40-FP-A2-P1	PNP





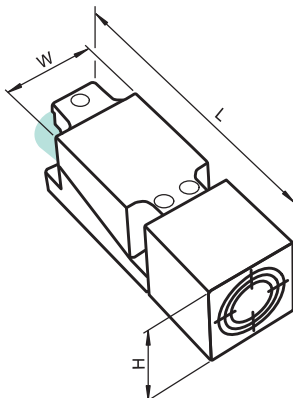
VariKont Series



Standard Technical Data	
Type of installation	Flush
Detection range	15 mm
Output type	4-wire
Output type	PNP
Switching function	Complementary
Voltage type	DC
Switching frequency	10 Hz
Operating voltage (min)	10 V
Operating voltage (max)	30 V
Connection type	Terminal compartment
Housing length L	118 mm
Housing width W	40 mm
Housing height H	40 mm
CSA	■
UL	■

For detailed data and description, see the datasheet. Further products can be found online at www.pepperl-fuchs.com.

Model number	
CJ15+U1+A2	
CJ15+U4+A2	



Accessories	
MHW 01	Modular mounting bracket